



ENF
Enclosed
Disconnects



**NEMA 3R Rainproof:
Surface Mounting 1**

Interchangeable Hubs (through 400A)
15–3000A, 600 Vac, 500 Vdc - This general purpose outdoor service center employs a circuit breaker inside a weatherproof sheet steel enclosure to serve as a main disconnect and protective device for feeder circuits. The breaker is front operable and is capable of being padlocked in the OFF position. Circuit breakers through 3000A are listed by Underwriters Laboratories as suitable for service entrance application.

NEMA 4/4X, 5 Water and Dustproof:

Stainless Steel - Type 304 Surface Mounting
15–3000A, 600 Vac, 500 Vdc - This enclosure meets NEMA 4/4X and 5 requirements for water and dustproof applications and has no knockouts or other openings. It is particularly well suited for use in dairies, borax mines, breweries, paper mills and other process industries. The operating handle can be padlocked in the OFF position and is interlocked to prevent the door from opening when the breaker is ON. Circuit breakers through 3000A are Underwriters Laboratories listed as suitable fo service entrance application.

Non Metallic N4X:

- High impact strength fiberglass reinforced polyester material having excellent corrosion resistance and stability to heat.
- Unitized, strong and durable enclosure construction provides longer service life for equipment.
- Enclosure has hinged access door which opens 160° for easy wiring and maintenance. Three screws for door frame are hidden behind access door. Access door may be padlocked to prevent unauthorized access.



Product Description:

- 15–1200A
- Enclosed device used to open and close a circuit

Application Description:

NEMA 1 General Purpose

Surface or Flush Mounting 15–1200A, 600 Vac, 500 Vdc NEMA 1 enclosed breakers are designed for indoor use in commercial buildings, apartment buildings and other areas where a general purpose enclosure is applicable. The breaker is front operable and is capable of being padlocked in the OFF position. Circuit breakers through 3000A are listed with Underwriters Laboratories as suitable for service entrance application.

Both surface and flush mounted enclosures are available.



NEMA 12 Dustproof Surface Mounting:

No Knockouts or Other Openings 15–3000A, 600 Vac, 500 Vdc The Type 12 enclosure is designed in line with specifications for special industry application where unusually severe conditions involving oil, coolant, dust and other foreign materials exist in the operating atmosphere. The handle padlocks in the OFF position and the cover is interlocked with the handle mechanism to prevent opening the cover with the circuit breaker in the ON position. Circuit breakers through 3000A are UL listed as suitable for service entrance application. A NEMA 12 semi-dust-tight design that includes knockouts is available. These units are rated 15-400A Vac, 500 Vdc.

Features, Benefits and Functions

- Padlockable in the OFF position
- Flange style are equipped with a 3 Point latching system for easy entry
- Interlocked handle on NEMA 3R, 4/4X, 5 and 12 enclosures to prevent opening when the breaker is in the ON position
- Interchangeable hubs
- Numerous factory options





ENF
Enclosed
Disconnects



Catalog Number System

EFN 15 S756V 3,2

| Description | Cat # |
|--|-----------|
| Non-Fused N4X 316 SS Rotary | ENFX6SSR |
| Non-Fused N4X 316 SS Flanged | ENFX6SSCF |
| Non-Fused N4X NON-METALLIC Rotary | ENFXNMR |
| Non-Fused N4X NON-METALLIC Flanged | ENFXNMF |
| Non-Fused N4 CARBON Rotary | ENFR |
| Non-Fused N4 CARBON Flanged | ENFF |
| Non-Fused General Purpose Nema 1 Rotary | ENF1R |
| Non-Fused General Purpose Nema 1 Flanged | ENF1CF |

| Ampacity |
|----------|
| 30 |
| 60 |
| 100 |
| 200 |
| 400 |
| 600 |
| 800 |
| 1200 |
| 1600 |
| 2000 |
| 2500 |
| 3000 |
| 32000 |

Wiring System

- 3 - 3 Phase
- 1 - Single Phase

Breaker Voltage

- 2 - 240V
- 4 - 480V
- 6 - 600V

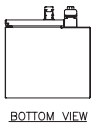
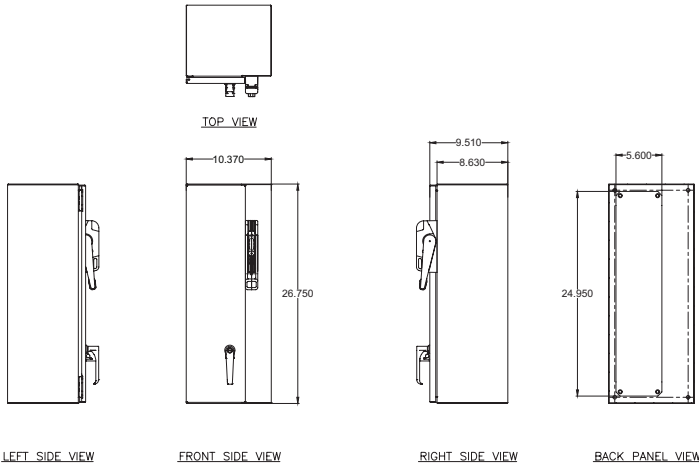
Enclosure Modifications & Accessories Cat #

| | |
|--|-------|
| Neutral | N |
| Pilot light, 120VAC, red jewel, w/on indicating plate | J1 |
| Pilot light, 120VAC, green jewel, w/off indicating plate | J3 |
| Auxiliary switch on Circuit Breaker 1A and 1B contacts | S784 |
| Auxiliary switch on Circuit Breaker 2A and 2B contacts | S785 |
| Space heater, 120 Volt, 25 Watts | R11 |
| Standard Drain | S756 |
| Standard Breather Drain | S756V |
| External epoxy finish | S752 |
| Viewing Window | VW |
| Transparent clear door (Non Metallic only) | CD |
| Internal and external epoxy finish | S753 |
| Viewing Window | VW |
| Transparent clear door (Non Metallic only) | CD |

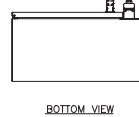
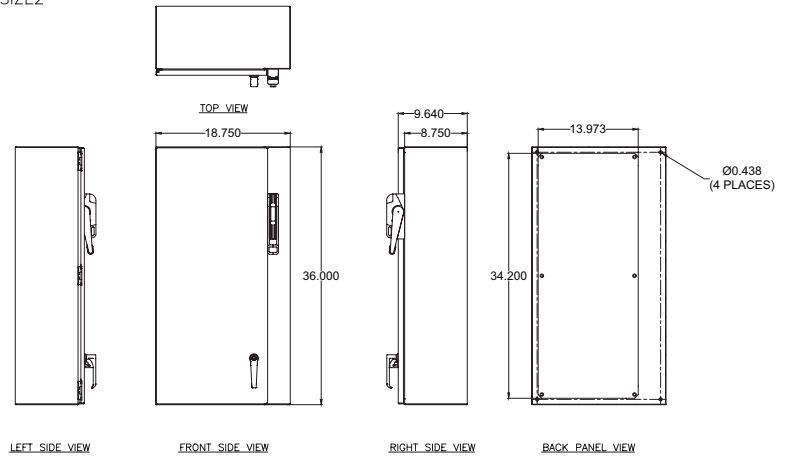




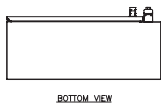
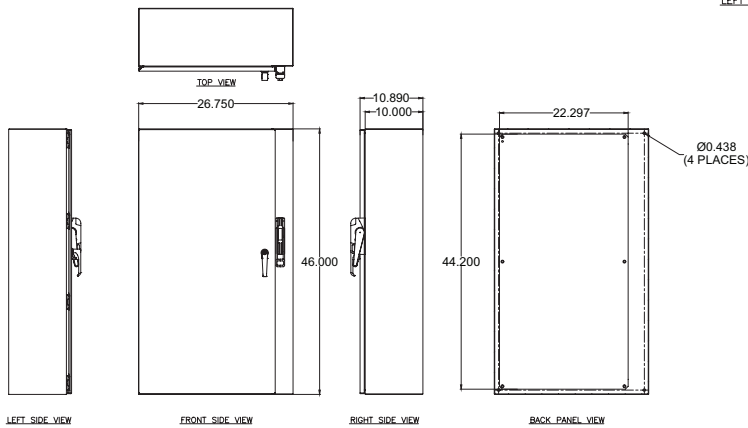
ENF Enclosed Disconnects



SN4SF-26.75X10.375X8.625
SIZE00 THRU SIZE2



SN4SF-36X18.75X8.75
SIZE3 AND SIZE4

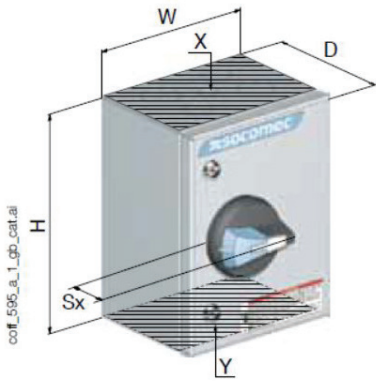


SN4SF-46X26.75X10
SIZE5

| Enclosure | Nominal Dimensions in Inches | | | | |
|------------------------|------------------------------|--------|-------|--------|-------|
| Cat # | A | B | C | D | E |
| N41226.75X10.375X6.625 | 26.75 | 10.375 | 6.625 | 8.894 | 28.25 |
| N41226.75X10.375X6.625 | 26.75 | 10.375 | 6.625 | 8.894 | 28.25 |
| N41226.75X10.375X6.625 | 26.75 | 10.375 | 6.625 | 8.894 | 28.25 |
| N41236X18.8X8.75 | 36 | 18.8 | 8.75 | 17.266 | 37.5 |
| N41236X18.8X8.75 | 36 | 18.8 | 8.75 | 17.266 | 37.5 |
| N41246X26.8X10 | 46 | 26.8 | 10 | 25.192 | 47.5 |

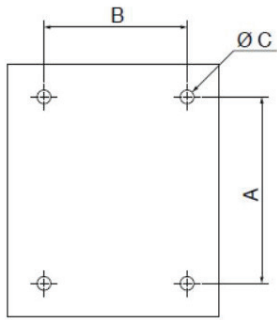


ENF
Enclosed
Disconnects

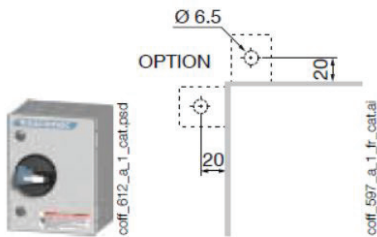


coff_595_a_1_gp_cat.ail

coff_596_a_1_x_cat.ail



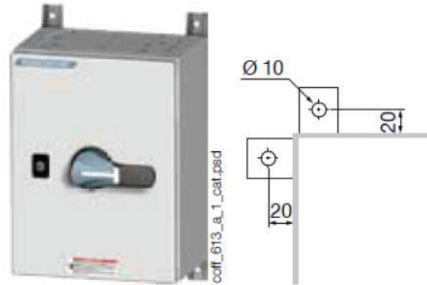
Type 1



coff_612_a_1_cat.psd

coff_597_a_1_fr_cat.ail

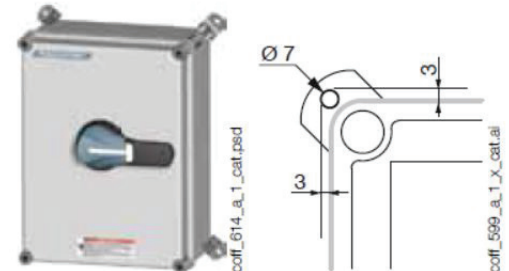
Type 2



coff_613_a_1_cat.psd

coff_598_a_1_x_cat.ail

Type 3



coff_614_a_1_cat.psd

coff_599_a_1_x_cat.ail

| Size | Type | HxWxD (in) | Sx (in) | A (in) | B (in) | Diameter C (in) | X-Y Cable - in top 7 bottom (1) |
|---------------------|------|--------------------|---------|--------|--------|-----------------|---------------------------------|
| CT 21, C121, CT 21a | 1 | 7.8 x 5.9 x 4.7 | 1.4 | 5.3 | 3.3 | .25 | 2 x Ø 25 + 2 x Ø 32 + Ø 16 |
| CT 32, C132, CT 32a | | 11.8 x 7.8 x 4.7 | | 9.2 | 5.3 | | 1 x Ø 32 + 2 x Ø 50 + Ø 16 |
| CP 32 | 3 | 14.1 x 10.6 x 6.7 | 1.7 | 13.2 | 9.7 | 47.5 | - |
| CP 53 | | 21.2 x 14.1 x 6.7 | | 20.3 | 13.2 | | |
| CP 75 | | 28.3 x 21.2 x 7.9 | | 27.4 | 20.3 | | |
| CT 43 | 2 | 15.7 x 11.8 x 8.2 | 2.3 | 14.2 | 10.3 | 7.0 x 3.9 | |
| CT 66 | | 23.6 x 23.6 x 11.8 | | 22.1 | 22.1 | | |
| CT 86 | | 31.4 x 23.6 x 13.7 | | 30 | 22.1 | | |
| CT 128 | | 47.2 x 31.4 x 11.8 | | 45.7 | 30 | | 25.9 x 3.9 |