

EJB121208 with optional hinged cover



Applications:

- EJB junction boxes are used in threaded rigid conduit systems in hazardous areas:
- As a junction or pull box
- To provide enclosures for splices and branch circuit taps
- For housing terminal blocks, relays and other electrical devices
- Indoors or outdoors in damp, wet, dusty, corrosive, hazardous locations
- Where exposure to frequent or heavy rain, water, spray, moisture and humidity is common, such as: offshore drilling facilities, cooling towers, coal preparation and handling facilities and sewage and waste water treatment
- In areas which are hazardous due to the presence of hydrogen or gases and vapors of equivalent hazard such as found in process industries, missile bases and gas manufacturing plants

Features:

- Style C boxes provided with aluminum plate cover as standard, allowing for field addition of cover device holes
- Stainless steel cover bolts (Style C only)
- Ground joint cover opening provides maximum opening for pulling wires or mounting equipment
- Walls of bodies may be drilled and tapped for conduit entries as shown in listings
- Stud bolts in diagonally opposite corners of body aid in aligning cover to body during installation (not furnished with hinged covers)
- All Style C bodies are provided with captive, triple lead, quick release hex head stainless steel bolts with spring

loaded action which provides clear indication that cover bolts are fully retracted from the body

- External flange design – wide unobstructed cover opening provides a completely accessible interior for wiring and electrical equipment
- Square corners of enclosure body provide maximum interior space and area for conduit openings
- Internal grounding lug provides a means to ground enclosed equipment
- Special neoprene cover gasket provides a watertight seal to meet NEMA 4 requirements, and provides superior protection for enclosed equipment against water/corrosion
- IEC rated when ordered with ATEX suffix
- Enclosures are machined for field installed mounting plates
- Detachable mounting feet provide mounting flexibility; no need to replace enclosure if mounting feet are broken.
- Optional stainless steel hinges provide convenient and easy access for inspection, maintenance and systems changes
- Enclosures are machined to accept field installed hinges

Certifications & Compliances:

NEC/CEC:

- Class I, Divisions 1 & 2, Groups BA, CB, DC
- Class I, Zones 1 & 2
- Class II, Division 1, Groups E, F, G
- Class II, Division 2, Groups F, G
- Class III

UL Standard:

- UL1203

CSA Standard:

- cUL to CSA standard C22.2 No. 30

ATEX:

- Ex d IIB + H2 T6, IP66
- ATEX certificate: ITS08ATEX15797U

IEC Standards:

- EN:60079-0 and EN:60079-1
- IECEx certificate: IECEx ETL 13.0040U

Environmental Ratings:

- Enclosure type 3, 3R, 4, 4XA, 7BCD, 9EFG

Standard Materials:

- Body and cover – copper-free aluminum (suffix SA items and all Style C); Feraloy iron alloy (Style D)
- Gasket – neoprene
- Cover bolts – stainless steel (Style C); steel (Style D)
- Hinges – stainless steel

Standard Finishes:

- Copper-free aluminum – natural
- Feraloy iron alloy – electrogalvanized and aluminum acrylic paint
- Steel – electrogalvanized
- Extruded aluminum – natural

Options

| Description | Suffix |
|----------------------|--------|
| • Hinged covers..... | S598 |

Hinges mounted on left (short side) Available on all Style C and the following Style D enclosures: EJB101008-SA, EJB120804, EJB120804-SA, EJB120808-SA and EJB141006- SA

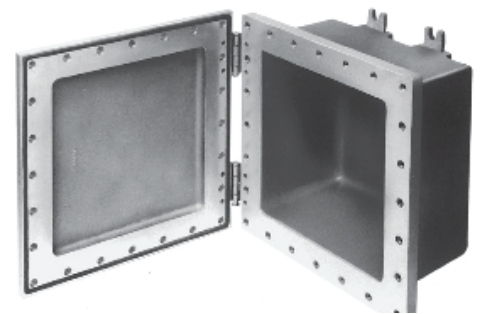
- ATEX certified ATEX

Hinge kits for field installation (no field machining required):

- EJB100806 through EJB361208
- (2 hinges) EJB KIT 1
- EJB361808 (3 hinges)..... EJB KIT 3
- EJB362408 (4 hinges).....EJB KIT 4
- For EJB101008-SA, EJB120804, EJB120804-SA, EJB120808-SA and EJB141006-SA (2 hinges)..... EJB KIT 5

Factory installed mounting plates for relays, terminal blocks, electrical devices, etc.:

- Aluminum mounting plate kit MP
- For field installation
Kit includes: aluminum mounting plate, pillars and mounting hardware
No field machining required
See ordering information on following page
- Factory installed terminal blocks - Information available upon request



EJB121208 with optional hinged cover and standard neoprene cover gasket

- Ⓐ For Group B, install sealing fitting in each conduit run within 18" of the enclosure. To meet 4X requirement, add suffix S752 or S753.
 - Ⓑ EJB361208, 361808, 362408 and all Style D enclosures require sealing fittings within 18" of enclosure for each conduit run for Group C locations.
 - Ⓒ Style D enclosures require sealing fittings within 18" of enclosure for each conduit run for Group D locations.
- For conduit liner ordering information, see Section 6E.

Ordering Information:

Junction boxes listed can be furnished with drilled and tapped openings, subject to material required and the limitations of maximum size and number of openings as well as spacing, as shown in Tables 1 and 2.

To order:

Step 1

Select the box required from photos at right, listings and dimensional drawings on following pages.

Step 2

Select standard conduit arrangement from Table 1 and maximum size conduit opening required from Table 2.

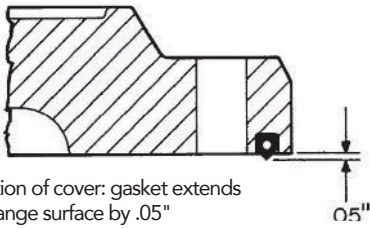
Step 3

Select appropriate symbol for required drilled and tapped opening from Table 3.

Example:

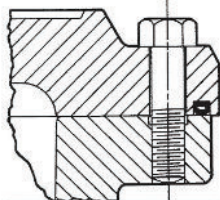
- Step 1 – box required: EJB080806
- Step 2 – arrangement: 2
- Step 3 – openings: two 1" drilled and tapped holes in top and bottom and two 2" drilled and tapped holes on each side.
- Step 4 – symbols are substituted and written in clockwise order starting with "a." When no opening is required at a particular location, use symbol "0" (zero).
- For this example: CC, GG, CC, GG
- Complete catalog number is made up of three parts: Part 1 – box number; Part 2 – arrangement number; Part 3 – symbols for conduit openings. For this example: EJB080806-2-CC-GG-CC-GG
- If none of the standard arrangements meet requirements, send a sketch showing junction box number with size and location of each conduit opening desired

Gasket Detail:



Cross section of cover: gasket extends beyond flange surface by .05"

Bolted cover and body assembled; compressed gasket forms watertight seal



Style D



Style C – EJB121208D with optional hinged cover

Nominal inside dimensions

| Style | Material | Cat. # | Sides (aa) | Top and bottom | | Cat. # Mounting Plate |
|-------|----------|--------------|------------|----------------|-------|-----------------------|
| | | | | (bb) | Depth | |
| D | Iron | EJB060404 | 4 | 6 | 4 | MP0406 |
| D | Iron | EJB160404 | 6 | 8 | 4 | MP0608 |
| D | Iron | EJB060404 | 6 | 8 | 6 | MP0406 |
| D | Iron | EJB080604 | 8 | 8 | 64 | MP0608 |
| D | Iron | EJB120804 | 8 | 12 | 4 | MP0812 |
| D | Iron | EJB160404 | 4 | 16 | 4 | MP0416 |
| D | Aluminum | EJB060404 SA | 4 | 6 | 4 | MP0406 |
| D | Aluminum | EJB080604 SA | 6 | 8 | 4 | MP0608 |
| D | Aluminum | EJB080606 SA | 6 | 8 | 6 | MP0608 |
| D | Aluminum | EJB080806 SA | 8 | 8 | 6 | MP0808 |
| D | Aluminum | EJB120604 SA | 6 | 12 | 4 | MP0612 |
| D | Aluminum | EJB120804 SA | 8 | 12 | 4 | MP0812 |
| D | Aluminum | EJB120808 SA | 8 | 12 | 8 | MP0812 |
| D | Aluminum | EJB160404 SA | 4 | 16 | 4 | MP0416 |
| D | Aluminum | EJB101008 SA | 10 | 10 | 8 | MP1010 |
| D | Aluminum | EJB141006 SA | 10 | 14 | 6 | MP1014 |
| C | Aluminum | EJB100806 | 8 | 10 | 6 | MP0810 |
| C | Aluminum | EJB121204 | 12 | 12 | 4 | MP1212 |
| C | Aluminum | EJB121206 | 12 | 12 | 6 | MP1212 |
| C | Aluminum | EJB121208 | 12 | 12 | 8 | MP1212 |
| C | Aluminum | EJB161606 | 16 | 16 | 6 | MP1616 |
| C | Aluminum | EJB161608 | 16 | 16 | 8 | MP1616 |
| C | Aluminum | EJB181206 | 12 | 18 | 6 | MP1218 |
| C | Aluminum | EJB181208 | 12 | 18 | 8 | MP1218 |
| C | Aluminum | EJB241208 | 12 | 24 | 8 | MP1224 |
| C | Aluminum | EJB241808 | 18 | 24 | 8 | MP1824 |
| C | Aluminum | EJB242408 | 24 | 24 | 8 | MP2424 |
| C | Aluminum | EJB361208 | 12 | 36 | 8 | MP1236 |
| C | Aluminum | EJB361808 | 18 | 36 | 8 | MP1836 |
| C | Aluminum | EJB361810 | 18 | 36 | 10 | MP1836 |
| C | Aluminum | EJB602212E | 22 | 60 | 12 | MP2260 |

Ⓞ For Group B, install sealing fitting in each conduit run within 18" of the enclosure. To meet 4X requirement, add suffix S752 or S753.

Ⓟ Class I, Divisions 1 & 2, Groups C, D only.
For conduit liner ordering information, see Section 6E.

Ordering Information Reference Tables:

Table 1
Conduit Arrangement Diagrams

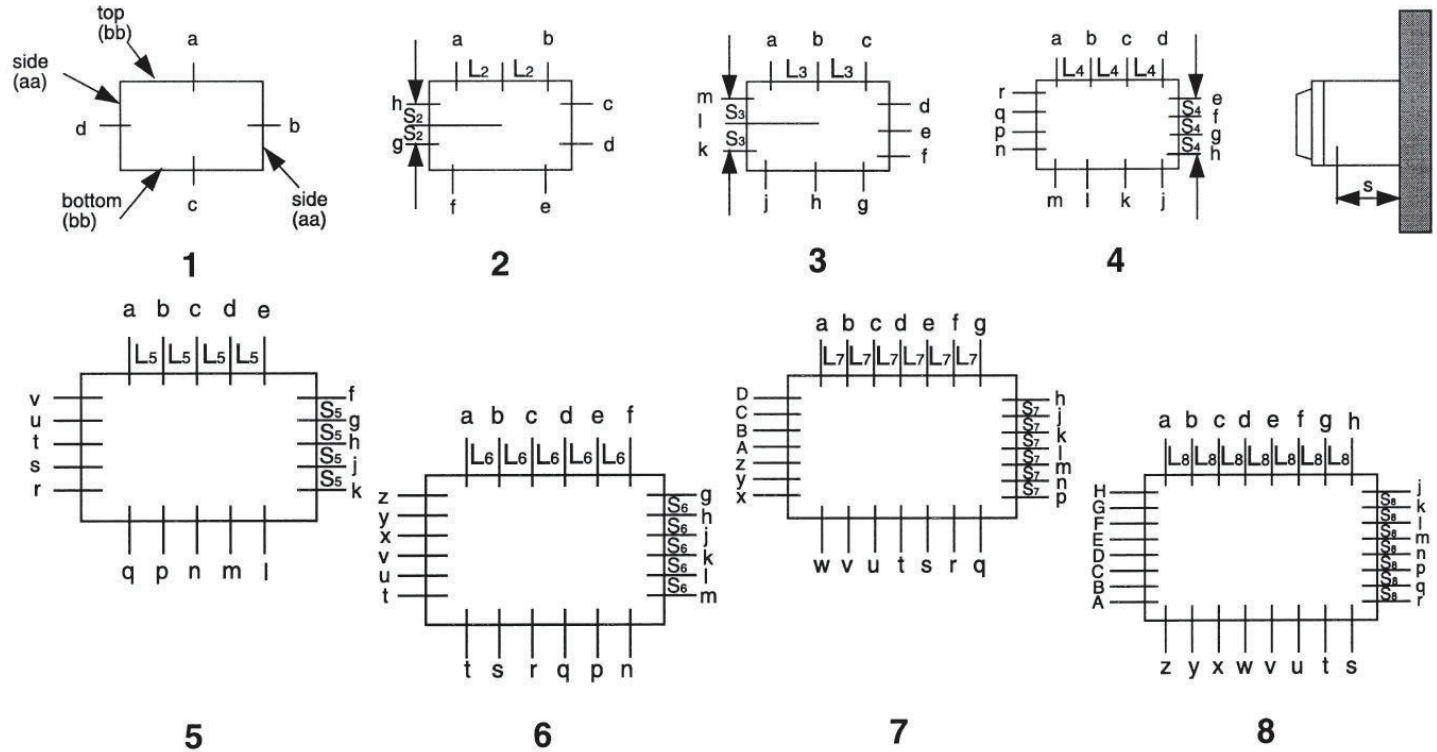


Table 2
Conduit Arrangement - Style D

| Cat. # | Maximum Trade Size And Number Of Openings | | | | | | | | | | | | | | | |
|-----------|---|-------|-------|-------|------------|-------|-------|-----|--------------------|----------------|----------------|----------------|----------------|----------------|----------------|--|
| | Top & Bottom(bb) Ø | | | | Sides (aa) | | | | Spacing Dimensions | | | | | | | |
| | 1 | 2 | 3 | 4 | 1 | 2 | 3 | 4 | S | L ₂ | S ₂ | L ₃ | S ₃ | L ₄ | S ₄ | |
| EJB060404 | 2 | 1-1/4 | 1/2 | - | 2 | 1/2 | - | - | 2-5/8 | 1-5/8 | 1-1/16 | 2-1/8 | - | - | - | |
| EJB080604 | 2 | 2 | 1 | 1/2 | 2 | 1-1/4 | 1/2 | - | 2-5/8 | 2-1/8 | 1-5/8 | 2-3/4 | 2-1/8 | 2-1/16 | - | |
| EJB080606 | 3-1/2 | 2 | 1 | 1/2 | 3-1/2 | 1-1/4 | 1/2 | - | 3-3/4 | 2-1/4 | 1-5/8 | 2-3/4 | 2-1/8 | 2-1/16 | - | |
| EJB080806 | 3-1/2 | 2 | 1 | 1/2 | 3-1/2 | 2 | 1 | 1/2 | 3-3/4 | 2-1/4 | 2-1/4 | 2-3/4 | 2-3/4 | 2-1/16 | 2-1/16 | |
| EJB101008 | 4 | 2-1/2 | 1-1/2 | 1 | 4 | 2-1/2 | 1-1/2 | 1 | 4-3/4 | 2-3/4 | 2-3/4 | 3-5/8 | 3-5/8 | 2-9/16 | 2-9/16 | |
| EJB120604 | 2 | 2 | 2 | 1-1/4 | 2 | 1-1/2 | 1/2 | - | 2-3/4 | 3 | 1-5/8 | 4-1/8 | 2-1/8 | 3-1/8 | - | |
| EJB120804 | 2 | 2 | 2 | 1-1/4 | 2 | 2 | 1 | 1/2 | 2-1/8 | 3 | 2-1/4 | 4-1/8 | 2-3/4 | 3-1/16 | 2-1/16 | |
| EJB120808 | 4 | 4 | 2 | 1-1/4 | 4 | 2 | 1 | 1/2 | 4-3/4 | 3-1/4 | 2-1/4 | 4-1/8 | 2-3/4 | 3-1/16 | 2-1/16 | |
| EJB141006 | 3-1/2 | 3-1/2 | 2-1/2 | 1-1/2 | 3-1/2 | 2-1/2 | 1-1/2 | 1 | 3-7/8 | 3-3/4 | 2-3/4 | 5 | 3-9/16 | 3-5/8 | 2-9/16 | |
| EJB160404 | 2 | 2 | 2 | 2 | 2 | 1/2 | - | - | 2-5/8 | 3 | 1-1/16 | 6 | - | 4-1/8 | - | |

ⓘ Top and bottom are longer dimensions on enclosures which are not square. Conduit seals are required in all conduit entrances for Class I, Division 1, Group B hazardous areas, and for EJB361208, EJB361808, EJB361810, EJB362408 and all Style D enclosures when used in Class I, Division 1, Group C hazardous areas. For other sealing requirements, consult the National Electrical Code. Where standard arrangements are not adequate, special drilling and tapping can be ordered, or instructions can be provided for field drilling and tapping. Breathers and drains must be ordered separately. Maximum trade size for Group B application is 4".

Ordering Information Reference Tables: (continued):

Table 2
Conduit Arrangement - Style C drilled and tapped openings - Groups B@,C, D

| Cat. # | Maximum Trade Size And Number Of Openings | | | | | | | | | | | | | | | |
|-----------|---|-------|-------|-------|------------|-------|-------|-------|--------------------|-------|-------|-------|-------|-------|-------|-------|
| | Top & Bottom(bb) ⊕ | | | | Sides (aa) | | | | Spacing Dimensions | | | | | | | |
| | 1 | 2 | 3 | 4 | 5 | 6 | 7 | 8 | 1 | 2 | 3 | 4 | 5 | 6 | 7 | 8 |
| EJB100806 | 3-1/2 | 3 | 1-1/2 | 1-1/4 | - | - | - | - | 3-1/2 | 2-1/2 | 1-1/2 | 1-1/4 | - | - | - | - |
| EJB121204 | 1-1/2 | 1-1/2 | 1-1/2 | 1-1/4 | 1 | 3/4 | 1/2 | - | 1-1/2 | 1-1/2 | 1-1/2 | 1-1/4 | 1 | 3/4 | 1/2 | - |
| EJB121206 | 3-1/2 | 3-1/2 | 1-1/2 | 1-1/4 | 1 | 3/4 | 1/2 | - | 3-1/2 | 3-1/2 | 1-1/2 | 1-1/4 | 1 | 3/4 | 1/2 | - |
| EJB121208 | 5 | 3-1/2 | 1-1/2 | 1-1/4 | 1 | 3/4 | 1/2 | - | 5 | 3-1/2 | 1-1/2 | 1-1/4 | 1 | 3/4 | 1/2 | - |
| EJB161606 | 3-1/2 | 3-1/2 | 2-1/2 | 2 | 1-1/2 | 1-1/4 | 1 | 3/4 | 3-1/2 | 3-1/2 | 2-1/2 | 2 | 1-1/2 | 1-1/4 | 1 | 3/4 |
| EJB161608 | 5 | 5 | 3 | 2 | 1-1/2 | 1-1/4 | 1 | 3/4 | 5 | 5 | 3 | 2 | 1-1/2 | 1-1/4 | 1 | 3/4 |
| EJB181206 | 3-1/2 | 3-1/2 | 3-1/2 | 2-1/2 | 1-1/2 | 1-1/2 | 1 | 3/4 | 3-1/2 | 3-1/2 | 1-1/2 | 1-1/4 | 1 | 3/4 | 1/2 | - |
| EJB181208 | 5 | 5 | 3-1/2 | 2-1/2 | 2 | 1-1/2 | 1 | 1 | 5 | 3-1/2 | 1-1/2 | 1-1/4 | 1 | 3/4 | 1/2 | - |
| EJB241208 | 5 | 5 | 5 | 3-1/2 | 3 | 2-1/2 | 2 | 1-1/2 | 5 | 3-1/2 | 1-1/2 | 1-1/4 | 1 | 1 | 1/2 | - |
| EJB241210 | 6 | 6 | 5 | 3-1/2 | 3 | 2-1/2 | 2 | 1-1/2 | 6 | 3-1/2 | 1-1/2 | 1-1/4 | 1 | 1 | 1/2 | - |
| EJB241808 | 5 | 5 | 5 | 3-1/2 | 3 | 2-1/2 | 2 | 1-1/2 | 5 | 5 | 3-1/2 | 2-1/2 | 2 | 1-1/2 | 1-1/4 | 1 |
| EJB241810 | 6 | 6 | 5 | 3-1/2 | 3 | 2-1/2 | 2 | 1-1/2 | 6 | 6 | 3-1/2 | 2-1/2 | 2 | 1-1/2 | 1-1/4 | 1 |
| EJB242408 | 5 | 5 | 5 | 3-1/2 | 3 | 2-1/2 | 2 | 1-1/2 | 5 | 5 | 5 | 3-1/2 | 3 | 2-1/2 | 2 | 1-1/2 |
| EJB242410 | 6 | 6 | 5 | 3-1/2 | 3 | 2-1/2 | 2 | 1-1/2 | 6 | 6 | 5 | 3-1/2 | 3 | 2-1/2 | 2 | 1-1/2 |
| EJB361208 | 5 | 5 | 5 | 5 | 4 | 4 | 3-1/2 | 2-1/2 | 5 | 3-1/2 | 1-1/2 | 1-1/4 | 1 | 3/4 | 1/2 | - |
| EJB361808 | 5 | 5 | 5 | 5 | 4 | 4 | 3-1/2 | 2-1/2 | 5 | 5 | 3-1/2 | 2-1/2 | 2 | 1-1/2 | 1-1/4 | 1 |
| EJB361810 | 6 | 6 | 5 | 5 | 4 | 4 | 3-1/2 | 2-1/2 | 6 | 6 | 3-1/2 | 2-1/2 | 2 | 1-1/2 | 1-1/4 | 1 |
| EJB362408 | 5 | 5 | 5 | 5 | 4 | 4 | 3-1/2 | 2-1/2 | 5 | 5 | 5 | 3-1/2 | 3 | 2-1/2 | 2 | 1-1/2 |

| Cat. # | SPACING DIMENSIONS ⊖ | | | | | | | | | | | | | | | |
|-----------|----------------------|--------|----------------|----------------|----------------|----------------|----------------|----------------|----------------|----------------|----------------|----------------|----------------|----------------|----------------|----------------|
| | S | L | L ₂ | S ₂ | L ₃ | S ₃ | L ₄ | S ₄ | L ₅ | S ₅ | L ₆ | S ₆ | L ₇ | S ₇ | L ₈ | S ₈ |
| EJB100806 | 3-3/8 | 2-3/4 | 1-7/8 | 3 | 2-3/8 | 21/4 | 13/4 | - | - | - | - | - | - | - | - | - |
| EJB121204 | 3 | 2-1/4 | 2-1/4 | 3-5/8 | 3-5/8 | 3-1/16 | 3-1/16 | 2 | 2 | 1-3/4 | 1-3/4 | 1-1/2 | 1-1/2 | - | - | - |
| EJB121206 | 3-3/4 | 3 | 3 | 3-5/8 | 3-5/8 | 31/16 | 3-1/16 | 2 | 2 | 1-3/4 | 1-3/4 | 1-1/2 | 1-1/2 | - | - | - |
| EJB121208 | 4-3/4 | 3 | 3 | 3-5/8 | 3-5/8 | 3-1/16 | 3-1/16 | 2 | 2 | 1-3/4 | 1-3/4 | 1-1/2 | 1-1/2 | - | - | - |
| EJB161606 | 3-3/4 | 3 | 3 | 4-5/8 | 4-5/8 | 4-3/16 | 4-3/16 | 2-3/4 | 2-3/4 | 2-1/2 | 2-1/2 | 2 | 2 | 1-3/4 | 1-3/4 | 3/4 |
| EJB161608 | 4-3/4 | 3-1/4 | 3-1/4 | 4-5/8 | 4-5/8 | 4-3/16 | 4-3/16 | 2-3/4 | 2-3/4 | 2-1/2 | 2-1/2 | 2 | 2 | 1-3/4 | 1-3/4 | 3/4 |
| EJB181206 | 3-3/4 | 3 | 3 | 6 | 3-5/8 | 4-5/8 | 3-1/16 | 2-3/4 | 2 | 2-3/4 | 1-3/4 | 2 | 1-1/2 | 1-3/4 | - | - |
| EJB181208 | 4-3/4 | 4-3/16 | 3 | 6 | 3-5/8 | 4-5/8 | 3-1/16 | 3-1/4 | 2 | 2-3/4 | 1-3/4 | 2 | 1-1/2 | 2 | - | - |
| EJB241208 | 5-1/8 | 4-3/16 | 3 | 8-7/16 | 3-5/8 | 6 | 3-1/16 | 4-5/8 | 2 | 3-7/8 | 2 | 3-1/4 | 1-1/2 | 2-3/4 | - | - |
| EJB241210 | 6-1/8 | 4-3/4 | 3 | 8-7/16 | 3-5/8 | 6 | 3-1/16 | 4-5/8 | 2 | 3-7/8 | 2 | 3-1/4 | 1-1/2 | 2-3/4 | - | - |
| EJB241808 | 5-1/4 | 4-3/16 | 4-3/16 | 8-7/16 | 6 | 6 | 4-5/8 | 4-5/8 | 3-1/4 | 3-7/8 | 2-3/4 | 3-1/4 | 2-1/2 | 2-3/4 | 2 | 1 |
| EJB241810 | 6-1/4 | 4-3/4 | 4-3/4 | 8-7/16 | 6 | 6 | 4-5/8 | 4-5/8 | 3-1/4 | 3-7/8 | 2-3/4 | 3-1/4 | 2-1/2 | 2-3/4 | 2 | 1 |
| EJB242408 | 5-3/8 | 4-3/16 | 4-3/16 | 8-7/16 | 8-7/16 | 6 | 6 | 4-5/8 | 4-5/8 | 3-7/8 | 3-7/8 | 3-1/4 | 3-1/4 | 2-3/4 | 2-3/4 | 1-1/2 |
| EJB242410 | 6-3/8 | 4-3/4 | 4-3/4 | 8-7/16 | 8-7/16 | 6 | 6 | 4-5/8 | 4-5/8 | 3-7/8 | 37-8 | 3-1/4 | 3-1/4 | 2-3/4 | 2-3/4 | 1-1/2 |
| EJB361208 | 4-3/4 | 4-7/16 | 3 | 8-7/16 | 3-5/8 | 8-7/16 | 3-1/16 | 5-3/4 | 2 | 5-3/4 | 1-3/4 | 5-1/8 | 11-2 | 3-7/8 | - | - |
| EJB361808 | 5-1/2 | 4-7/16 | 4-7/16 | 8-7/16 | 6 | 8-7/16 | 4-5/8 | 5-3/4 | 3-1/4 | 5-3/4 | 2-3/4 | 5-1/8 | 2-1/2 | 3-7/8 | 2 | 1 |
| EJB361810 | 6-1/2 | 4-3/4 | 4-3/4 | 8-7/16 | 6 | 8-7/16 | 8-7/16 | 5-3/4 | 3-1/4 | 5-3/4 | 2-3/4 | 5-1/8 | 2-1/2 | 3-7/8 | 2 | 1 |
| EJB362408 | 6 | 4-3/4 | 4-3/16 | 8-7/16 | 8-7/16 | 8-7/16 | 6 | 5-3/4 | 4-5/8 | 5-3/4 | 3-7/8 | 5-1/8 | 3-1/4 | 3-7/8 | 2-3/4 | 1-1/2 |

Table 3
Symbols for Openings

| Conduit Size | Drilled & Tapped Hole Symbol | Conduit Size | Drilled & Tapped Hole Symbol |
|--------------|------------------------------|--------------|------------------------------|
| 1/2" | A | 2-1/2" | A |
| 3/4" | B | 3" | B |
| 1" | C | 3-1/2" | C |
| 1-1/4" | D | 4" | D |
| 1-1/2" | E | 5" | E |
| 2" | F | 6" | F |
| | | None | O |

⊖Maximum trade size for Group B applications is 4".
 ⊕Top and bottom are longer dimensions on enclosures which are not square.
 ⊖Spacing dimensions for Group B boxes are based on use of EYS11-EYS101 sealing fitting in conduit.
 Conduit seals are required in all conduit entrances for Class I, Division 1, Group B hazardous areas, and for EJB361208, EJB361808, EJB361810, EJB362408 and all Style D enclosures when used in Class I, Division 1, Group C hazardous areas. For other sealing requirements, consult the National Electrical Code. Where standard arrangements are not adequate, special drilling and tapping can be ordered, or instructions can be provided for field drilling and tapping. Breathers and drains must be ordered separately. Maximum trade size for Group B application is 4". For conduit liner ordering information, see Section 6E.

Ordering Information Reference Tables:

Table 1
Conduit Arrangement Diagrams

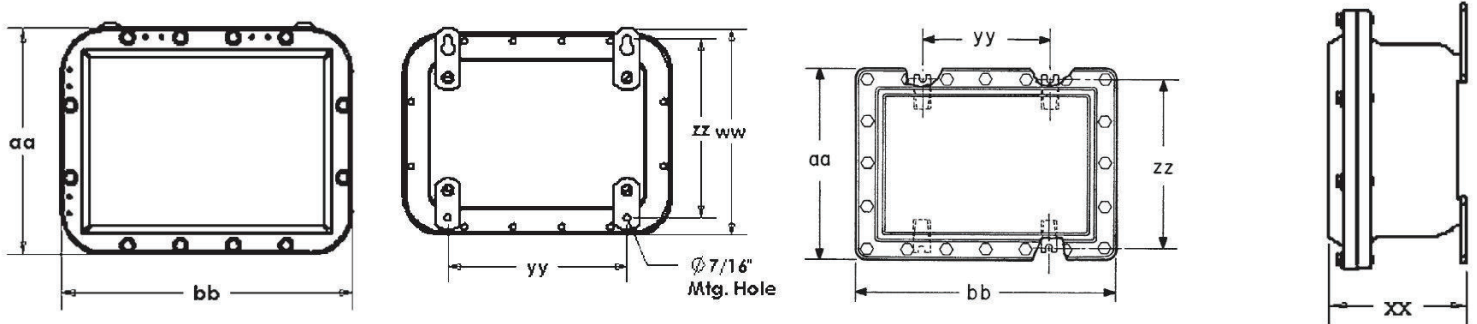


Table 4
Outside Dimensions

| Cat. # | Diagram | aa | bb | Mtg. hole | ww | xx | yy | zz | Net Weight with cover (lbs.) |
|-------------|---------|----------|----------|-----------|----------|----------|--------|--------|------------------------------|
| EJB060404 | | 8-11/32 | 1011/32 | 7/16 | 83-1/4 | 6-1/8 | 5 | 7-1/8 | 43 |
| EJB080604 | | 10-15/32 | 12-15/32 | 7/16 | 10-25/32 | 6-3/16 | 7 | 9-1/8 | 64 |
| EJB080606 | | 10-15/32 | 12-15/32 | 7/16 | 10-25/32 | 8-3/16 | 7 | 9-1/8 | 84 |
| EJB080806 | | 12-15/32 | 12-15/32 | 7/16 | 12-25/32 | 8-7/32 | 7 | 11-1/8 | 98 |
| EJB120804 | | 1-21/2 | 16-1/2 | 7/16 | 12-13/16 | 6-3/8 | 11 | 11-1/8 | 103 |
| EJB160404 | | 8-1/2 | 20-1/2 | 7/16 | 8-13/16 | 6-5/32 | 15 | 7-1/8 | 86 |
| EJB060404SA | | 81-1/32 | 10-11/32 | 7/16 | 8-3/4 | 6-1/8 | 5 | 7-1/8 | 16 |
| EJB080604SA | A, B, D | 10-15/32 | 12-15/32 | 7/16 | 6-3/16 | 6-3/8 | 7 | 9-1/8 | 24 |
| EJB080606SA | | 10-15/32 | 12-15/32 | 7/16 | 10-25/32 | 8-3/16 | 7 | 9-1/8 | 32 |
| EJB080806SA | | 12-15/32 | 12-15/32 | 7/16 | 12-25/32 | 8-7/32 | 7 | 11-1/8 | 37 |
| EJB120604SA | | 10-1/2 | 16-1/2 | 7/16 | 10-13/16 | 6-3/16 | 11 | 9-1/8 | 32 |
| EJB120804SA | | 12-1/2 | 16-1/2 | 7/16 | 12-13/18 | 6-3/8 | 11 | 11-1/8 | 39 |
| EJB120808SA | | 12-1/2 | 16-1/2 | 7/16 | 12-13/18 | 10-3/8 | 11 | 11-1/8 | 56 |
| EJB160404SA | | 8-1/2 | 20-1/2 | 7/16 | 8-13/16 | 6-5/32 | 15 | 7-1/8 | 33 |
| EJB101008SA | | 14-21/32 | 14-21/32 | 7/16 | 14-7/8 | 10-3/8 | 9 | 13-1/8 | 59 |
| EJB141006SA | | 14-21/32 | 18-21/32 | 7/16 | 14-7/8 | 8-15/32 | 13 | 13-1/8 | 66 |
| EJB100806 | | 13-1/32 | 15-1/32 | 9/16 | 12-1/4 | 8-9/16 | 5-1/2 | 11-1/4 | 60 |
| EJB121204 | | 17-1/16 | 17-1/16 | 9/16 | 16-1/8 | 6-13/16 | 5-1/2 | 15-1/8 | 60 |
| EJB121206 | | 17-1/16 | 17-1/16 | 9/16 | 16-1/8 | 8-7/8 | 5-1/2 | 15-1/8 | 70 |
| EJB121208 | | 17-1/16 | 17-1/16 | 9/16 | 16-1/8 | 10-7/8 | 5-1/2 | 15-1/8 | 80 |
| EJB161606 | | 2-13/16 | 21-3/16 | 9/16 | 20-1/8 | 8-7/8 | 9-1/2 | 19-1/8 | 103 |
| EJB161608 | | 2-13/16 | 21-3/16 | 9/16 | 20-1/8 | 10-7/8 | 91-2 | 19-1/8 | 113 |
| EJB181206 | | 17-5/16 | 23-5/16 | 9/16 | 16-1/8 | 8-7/8 | 11-1/2 | 15-1/8 | 101 |
| EJB181208 | | 17-5/16 | 23-5/16 | 9/16 | 16-1/8 | 10-7/8 | 11-1/2 | 15-1/8 | 110 |
| EJB241208 | C, E | 17-9/16 | 29-9/16 | 9/16 | 16-1/8 | 11-3/4 | 17-1/2 | 15-5/8 | 149 |
| EJB241210 | | 17-9/16 | 29-9/16 | 9/16 | 16-1/8 | 13-3/4 | 17-1/2 | 15-5/8 | 160 |
| EJB241808 | | 23-9/16 | 29-5/8 | 11/16 | 23-1/2 | 12-1/4 | 17-1/4 | 21-7/8 | 243 |
| EJB242408 | | 29-9/16 | 29-9/16 | 11/16 | 29-1/2 | 12-5/16 | 16-1/4 | 27-7/8 | 296 |
| EJB242410 | | 29-9/16 | 29-9/16 | 11/16 | 29-1/2 | 14-5/16 | 16-1/4 | 27-7/8 | 322 |
| EJB361208 | | 17-1/16 | 41-1/16 | 9/16 | 16-1/8 | 11-11/16 | 29-1/2 | 15-1/8 | 185 |
| EJB361808 | | 23-15/16 | 41-15/16 | 11/16 | 23-1/2 | 12-7/16 | 28-1/4 | 21-7/8 | 351 |
| EJB361810 | | 23-15/16 | 41-15/16 | 11/16 | 23-3/4 | 14-1/4 | 28-1/4 | 21-7/8 | 396 |
| EJB362408 | 30-3/16 | 42-3/16 | 11/16 | 31-1/4 | 12-5/8 | 28-1/4 | 29-1/2 | 571 | |

For conduit liner ordering information, see Section 6E.

Table 5
Mounting Plate Dimensions - Style C

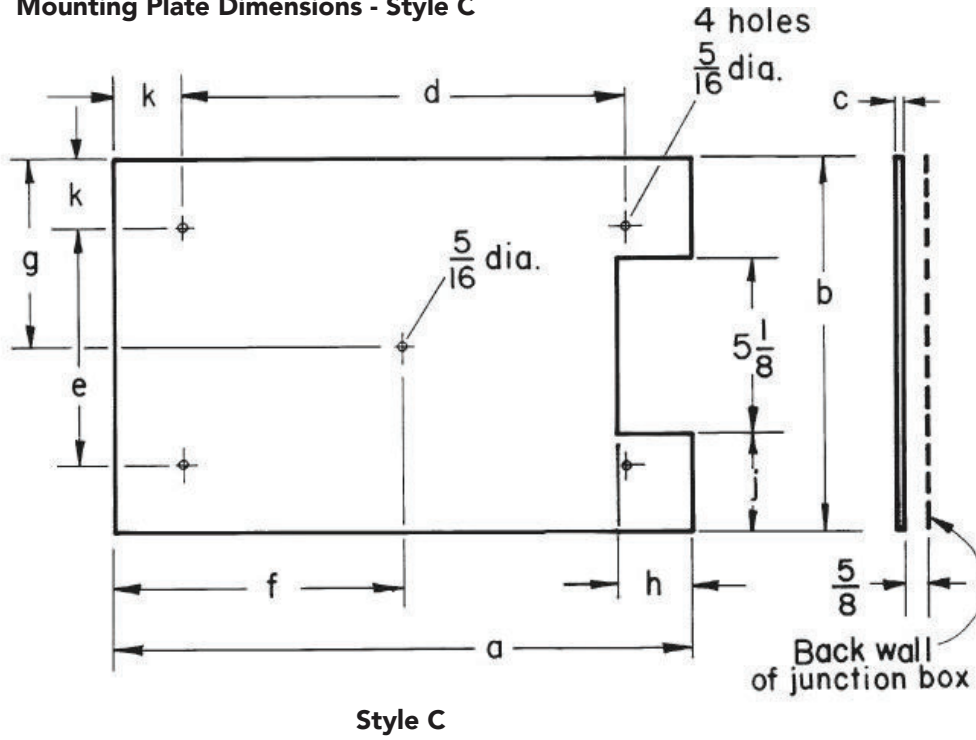


Table 4
Outside Dimensions

| Cat. # | a | b | c | d | e | f | g | h | j | k |
|---------|--------|--------|-------|----|----|--------|-------|-------|-------|-------|
| MP0810J | 9 | 7 | 0.125 | 7 | 5 | | | 1-3/8 | 1-1/2 | 1 |
| MP1212J | 11 | 11 | 0.125 | 9 | 9 | | | 1-3/8 | 1-1/2 | 1 |
| MP1616J | 15 | 15 | 0.125 | 13 | 13 | | | 1-3/8 | 1-1/2 | 1 |
| MP1218 | 17 | 11 | 0.125 | 13 | 7 | 8-1/2 | 5-1/2 | 2-3/8 | 2-1/2 | 2 |
| MP1224 | 23 | 11 | 0.125 | 19 | 7 | 11-1/2 | 5-1/2 | 2-3/8 | 2-1/2 | 2 |
| MP1824 | 22 | 16 | 0.125 | 19 | 13 | 11 | 8 | 1-7/8 | 2 | 1-1/2 |
| MP2424 | 22 | 22 | 0.125 | 19 | 19 | 11 | 11 | 1-7/8 | 2 | 1-1/2 |
| MP1236 | 34 | 10 | 0.125 | 31 | 7 | 17 | 5 | 1-7/8 | 2 | 1-1/2 |
| MP1836 | 33-1/2 | 15-1/2 | 0.125 | 31 | 13 | 16-3/4 | 7-3/4 | 1-5/8 | 1-3/4 | 1-1/4 |
| MP2436 | 34 | 22 | 0.125 | 31 | 19 | 17 | 11 | 1-7/8 | 2 | 1-1/2 |

●Plate has no center hole.
For conduit liner ordering information, see Section 6E.



Features:

- Ground joint cover opening provides maximum opening for pulling wires or mounting equipment
- Walls of enclosure may be drilled and tapped for conduit entries as shown in Table 2
- External flange design – wide unobstructed cover opening provides a completely accessible interior for wiring and electrical equipment
- Square corners of enclosure body provide maximum interior space and area for conduit openings
- Flat cover provides maximum space for mounting a greater number of control devices
- Internal grounding lug provides a means to ground enclosed equipment
- Special neoprene cover gasket provides a watertight seal to meet UL Type 4 (NEMA 4) requirements, and provides superior protection for enclosed equipment against water/corrosion
- Stainless steel cover bolts provide superior corrosion protection
- Enclosure is machined for field installed mounting plates
- Detachable mounting channels provide mounting flexibility; no need to replace enclosure if mounting channel is broken
- Aluminum hinges provide convenient and easy access for inspection, maintenance and systems changes
- Safety chain attached to body and cover prevents accidental damage to hinges

Certifications & Compliances:

NEC

- Class I, Divisions 1 & 2, Groups C, D
- Class II, Division 1, Groups E, F, G
- Class II, Division 2, Groups F, G
- Class III

UL Standard:

- UL1203
- Raintight

CSA Standard:

- CSA C22.2 Nos. 18, 30

Environmental Ratings:

- NEMA 3, 4, 7CD, 9EFG

Standard Materials:

- Body and cover – copper-free aluminum
- Gasket – neoprene
- Cover bolts – stainless steel
- Hinges – extruded aluminum

For conduit liner ordering information, see Section 6E

Standard Finishes:

- Copper-free aluminum – natural
- Extruded aluminum – natural
- Stainless steel – natural
- Neoprene – natural

Options

Description

Suffix

- Mounting plate kit..... EJB-MP6022
 For field installation
 Kit includes: aluminum mounting plate, pillars and mounting hardware
- Factory installed aluminum mounting plate.....MP
- For relays, terminal blocks, electrical devices, etc.

Ordering Information:

EJB602212 can be furnished with drilled and tapped openings, subject to the limitations of maximum size and number of openings as well as spacing, as shown in Tables 1 and 2.

To order:

Step 1

Specify box catalog number – EJB602212.

Step 2

Select standard conduit arrangement from Table 1 and maximum allowable size conduit opening from Table 2.

Step 3

Select appropriate symbol for required drilled and tapped opening from Table 3.

Example:

- Step 1 – box catalog number: EJB602212
- Step 2 – arrangement: 2
- Step 3 – openings: two 2" drilled and tapped holes in top and bottom and two 2 1/2" drilled and tapped holes evenly spaced on each side
- Step 4 – symbols are substituted and written in clockwise order starting with "a." When no opening is required at a particular location, use symbol "0" (zero).
- For this example: GG-0H0H0-GG-0H0H0
- Complete catalog number is made up of three parts: Part 1 – box number; Part 2 – arrangement number; Part 3 – symbols for conduit openings. For this example: EJB602212-2-GG-0H0H0-GG-0H0H0.

Applications:

The EJB602212 junction box is used in threaded rigid conduit systems in hazardous areas:

- As a junction or pull box
- As an enclosure for splices and branch circuit taps
- For housing terminal blocks, relays and other electrical devices
- As a mounting box for multi-device control panels with EMP barrel assemblies (see section 5C)
- Indoors or outdoors in damp, wet, dusty, corrosive locations
- Where exposure to frequent or heavy rain, water, spray, moisture and humidity is common, such as: offshore drilling facilities, cooling towers, coal preparation and handling facilities, and sewage and wastewater treatment plants
- Which are hazardous due to the presence of gases or vapors, such as those found in process industries, missile bases and gas manufacturing plants

Ordering Information Reference Tables:

Table 1
Conduit Arrangement Diagrams

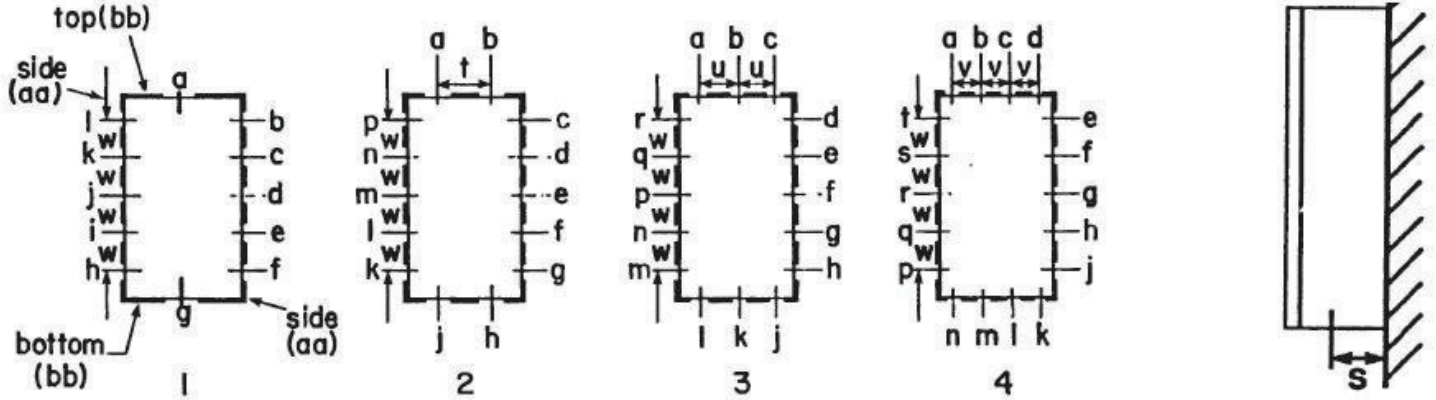
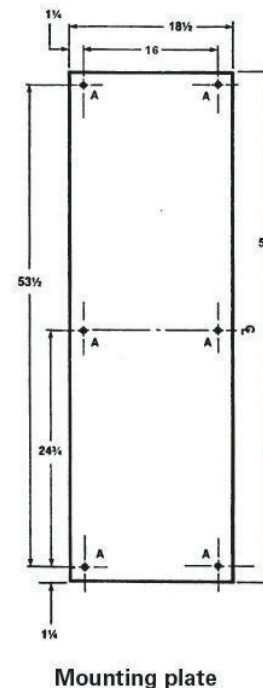
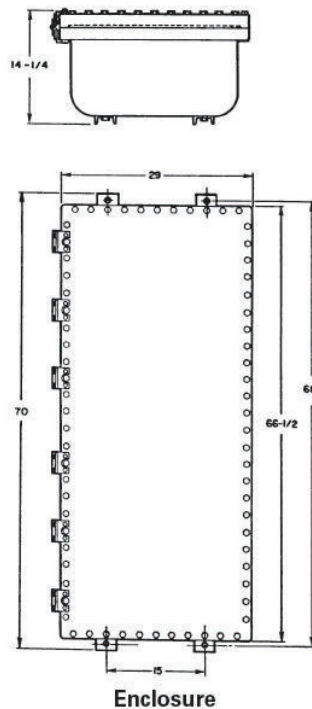


Table 2
Conduit Arrangements

| Cat. # | Maximum Trade Size And Number Of Openings | | | | | | | | | | | | | |
|-----------|---|---|---|---|------------|---|---|---|--------------------|-------|----|---|-------|----|
| | Top & Bottom(bb) | | | | Sides (aa) | | | | Spacing Dimensions | | | | | |
| | 1 | 2 | 3 | 4 | 1 | 2 | 3 | 4 | 5 | s | t | u | v | w |
| EJB602212 | 6 | 6 | 4 | 3 | 6 | 6 | 6 | 6 | 6 | 6-3/4 | 10 | 7 | 5-3/8 | 10 |

Dimensions (in inches):

| Conduit Size | Drilled & Tapped Hole Symbol |
|--------------|------------------------------|
| 1/2" | A |
| 3/4" | B |
| 1" | C |
| 1-1/4" | E |
| 1-1/2" | F |
| 2" | G |
| 2-1/2" | H |
| 3" | J |
| 3-1/2" | K |
| 4" | L |
| 5" | M |
| 6" | N |
| None | O |



Conduit sealing fittings are required on all conduit entrances (within 18" of the enclosure) when used in Class I, Division 1, Group C hazardous areas. For other sealing requirements, consult the National Electrical Code. For conduit liner ordering information, see Section 6E.

| Nominal Inside Dimensions | | |
|---------------------------|----------------|-------|
| Sides | Top and Bottom | Depth |
| 60 | 22 | 12 |