

Cl. I, Div. 1 & 2, Groups B, C, D
Cl. I, Zones 1 & 2
Cl. II, Groups E, F, G
Cl. III
NEMA 3R, 4X, 7BCD, 9EFG
Explosionproof
Dust-ignitionproof

EBMXD

Series Explosionproof Disconnect Switches

CONTACT US:

1.844.279.8295 - Toll Free
832.243.5372 - Local Factory Support
832.569.5645 - Fax
factoryassistance@spikeelectric.com
spikeelectric.com
5914 E. Sam Houston Pkwy S.
Houston TX 77034

Copyright © 2018 Spike Electric Controls

EBMXD Series Explosionproof Disconnect Switches

Cl. I, Div. 1 & 2, Groups B[ⓐ], C, D
Cl. I, Zones 1 & 2
Cl. II, Groups E, F, G
Cl. III
NEMA 3R, 4X, 7BCD, 9EFG

Explosionproof
Dust-Ignitionproof

Applications:

- Operating where flammable liquids or gases are handled, processed or used
- Damp, wet, dirty, dusty, hazardous areas where ultimate corrosion and ingress protection is required
- Harsh and hazardous motor control environments, including refineries, chemical and petrochemical plants, corrosive process facilities, food and beverage, marine and mining
- Motor disconnect with circuit protection for motor circuits, lighting, heating and appliance

Features:

- Clamped enclosure significantly reduces time to enter enclosure and reduces opportunity for missing, stripped or broken bolts
- 65kAIC at 480V enclosure rating for high interrupting capacity applications
- -50°C to +60°C temperature range for extreme environments
- Fusible and non-fused designs for a variety of circuit protection
- Side operated handle provides visual confirmation of proper operator alignment while cover is open and can be padlocked in either "ON" or "OFF" positions for OSHA compliance
- Neoprene cover gasket provides NEMA 4X protection for hose down applications
- Maximum wiring room compliance with National Electrical Code® requirements allows for easy and safe installation
- Rugged, corrosion-resistant, cast copper-free aluminum construction provides NEMA 4X protection
- Semi-clamshell enclosure design, with an external flanged ground joint between body and cover, provides increased access to interior components
- Minimum enclosure-to-enclosure spacing with little interference between the opened cover and adjacent enclosure
- Detachable tap-on mounting feet
- Steel brackets supplied standard for lifting during installation
- Bodies have top and bottom drilled and tapped entries for power and control conduits; removable reducers are supplied standard to accommodate smaller size conduits; all conduit entries are plugged



Certifications and Compliances:

NEC/CEC:

- Class I, Divisions 1 & 2, Groups B[ⓐ], C, D
- Class I, Zones 1 & 2
- Class II, Groups E, F, G
- Class III

UL Standards:

- UL1203 – Explosionproof and Dust-ignitionproof Electrical Equipment for use in Hazardous (Classified) Locations
- UL2062 – High AIC Ratings for Groups C, D

VOLTAGE (AC)	RMS SYMMETRICAL AMPS
240, 480	65,000
600	35,000

CSA Standard:

- cUL to CSA C22.2 No. 30

Additional Certifications:

- UL/cUL certified for -50°C to +60°C
- SASO Certificate of Conformity

Environmental Ratings:

- NEMA 3R, 4X, 7BCD, 9EFG

Standard Materials:

- Body and cover – copper-free aluminum
- Clamp – anodized copper-free aluminum
- External hardware – stainless steel
- Internal parts – galvanized steel

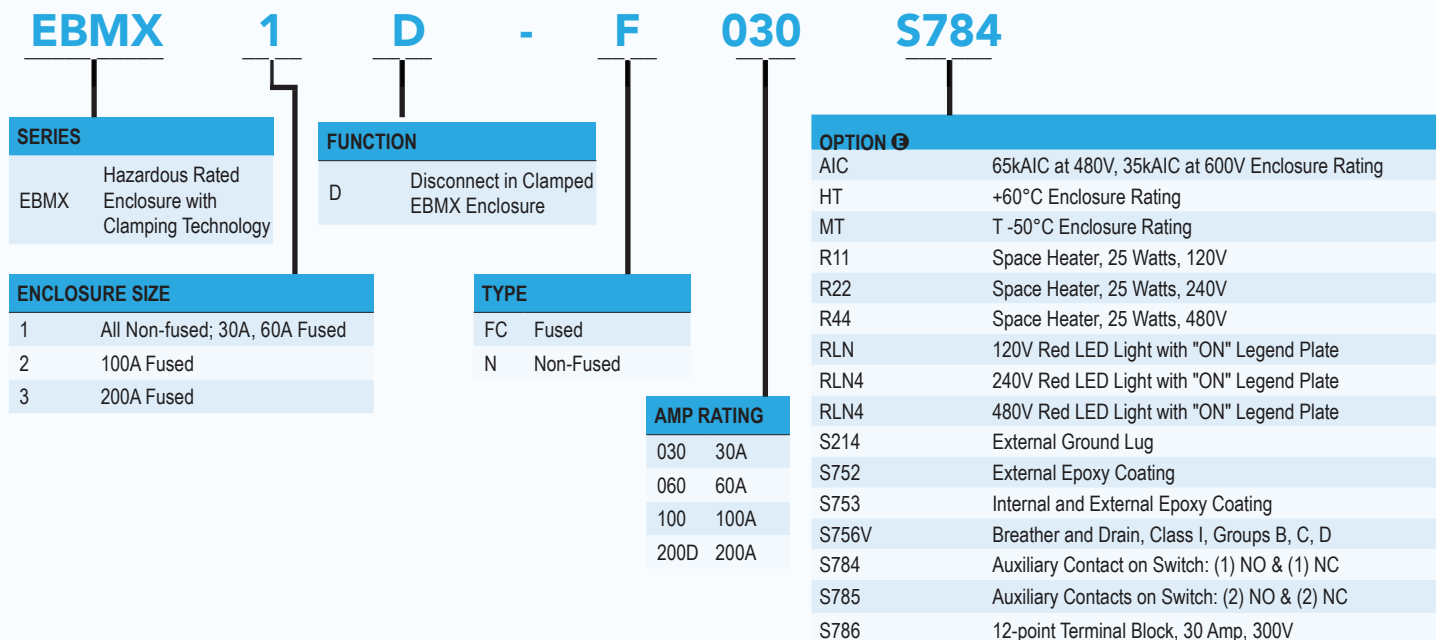
[ⓐ] High AIC and -50°C temperature certifications do not apply for Group B

EBMXD Series Explosionproof Disconnect Switches

Cl. I, Div. 1 & 2, Groups B[ⓐ], C, D
Cl. I, Zones 1 & 2
Cl. II, Groups E, F, G
Cl. III
NEMA 3R, 4X, 7BCD, 9EFG

Explosionproof
Dust-Ignitionproof

Catalog Number System EBMX1D-F030 S784



30DISCONNECT SWITCH HP RATINGS, 3 POLE:

CAT. #	AMPERAGE	FUSE TYPE	220-240 VAC	440 - 480 VAC	600 VAC	125 VDC	250 VDC
EBMX1D-N030	30A		10	20	25		
1EBMX1D-N060	60A	N/A	20	40	50	N/A	N/A
EBMX1D-N100	100A		25	50	50		
EBMX1D-F030	30A	Class J [ⓐ]	7.5	15	20	3	5
EBMX1D-F060	60A		15	30	50	3	10
6EBMX2D-F100	100A		30	60	75	7.5	20
EBMX3D-F200	200A		60	125	150	15	40

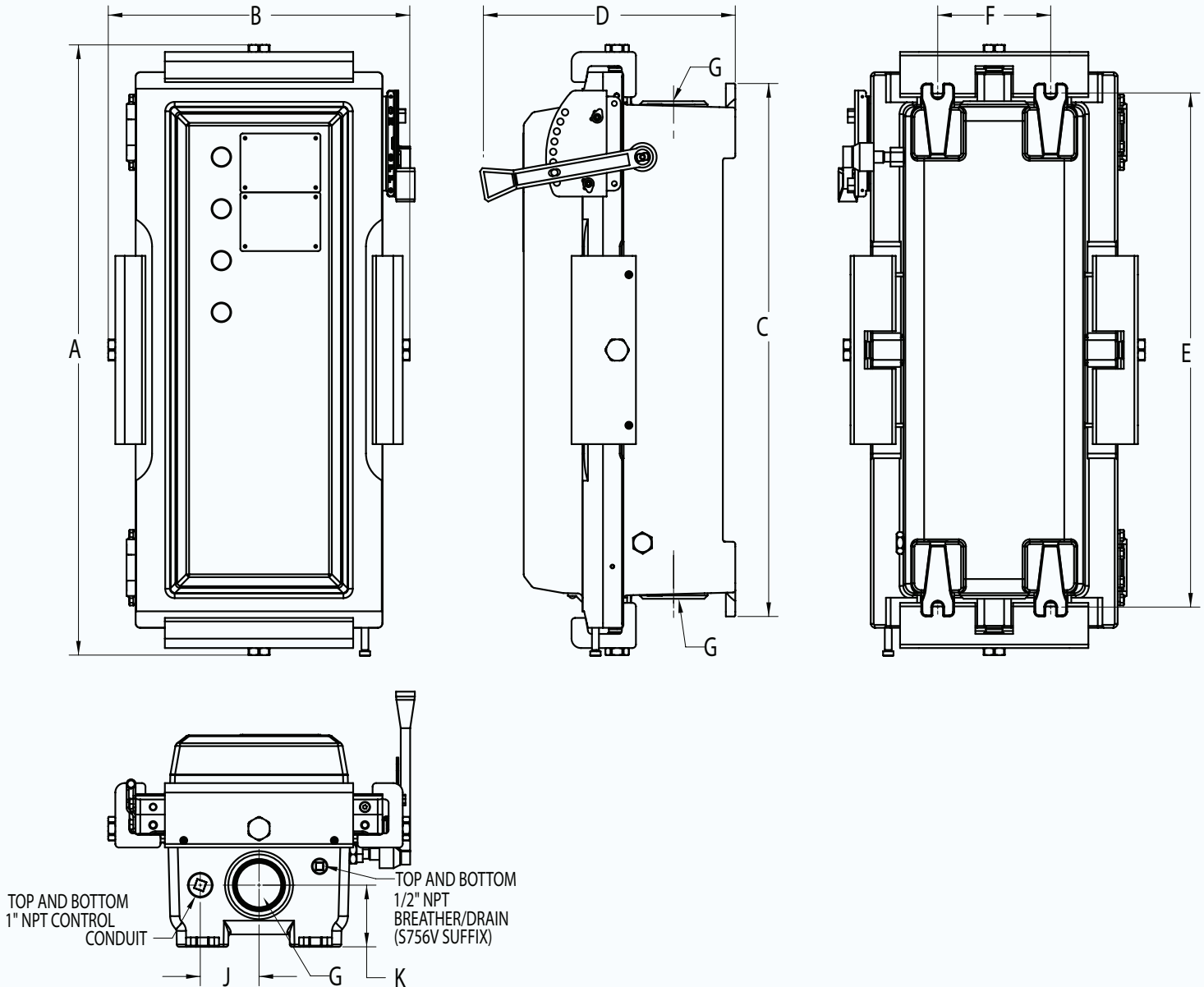
- [ⓐ] High AIC and -50°C temperature certifications do not apply for Group B.
- [ⓑ] Class J fuses not included.
- [ⓒ] Available in fused configuration only.
- [ⓓ] List selected options in alphanumeric order

EBMXD Series Explosionproof Disconnect Switches

Cl. I, Div. 1 & 2, Groups B[Ⓢ], C, D
Cl. I, Zones 1 & 2
Cl. II, Groups E, F, G
Cl. III
NEMA 3R, 4X, 7BCD, 9EFG

Explosionproof
Dust-Ignitionproof

Dimensions (in Inches):



ENCLOSURE SIZE	A	B	C	D	E	F	G		J	K
							DRILLED & TAPPED	WITH REDUCER		
1	22.11	15.98	18.04	12.86	17.13	6.00	2 NPT	1.5 NPT	3.12	3.01
2	32.40	16.28	28.31	13.56	27.25	6.00	3 NPT	2.5 NPT	3.12	3.28
3	42.28	17.93	38.15	13.85	37.25	6.00	3 NPT	2.5 NPT	3.93	3.56

Ⓢ High AIC and -50°C temperature certifications do not apply for Group B