



Cl. I, Div. 1 & 2, Groups B, C, D
Cl. I, Zones 1 & 2
Cl. II, Groups E, F, G
Cl. III
NEMA 3R, 4X, 7BCD, 9EFG
Explosionproof
Dust-ignitionproof

EBMXB

Series Explosionproof Circuit Breakers

CONTACT US:

1.844.279.8295 - Toll Free
832.243.5372 - Local Factory Support
832.569.5645 - Fax
factoryassistance@spikeelectric.com
spikeelectric.com
5914 E. Sam Houston Pkwy S.
Houston TX 77034

Copyright © 2018 Spike Electric Controls

EBMXB Series Explosionproof Circuit Breakers

Cl. I, Div. 1 & 2, Groups B^A, C, D
Cl. I, Zones 1 & 2
Cl. II, Groups E, F, G
Cl. III
NEMA 3R, 4X, 7BCD, 9EFG

Explosionproof
Dust-Ignitionproof

Applications:

- Operating where flammable liquids or gases are handled, processed or used
- Damp, wet, dirty, dusty, hazardous areas where ultimate corrosion and ingress protection is required
- Harsh and hazardous motor control environments, including refineries, chemical and petrochemical plants, corrosive process facilities, food and beverage, marine and mining
- For service entrance, feeder or branch circuit protection for lighting, heating, appliance and motor circuits

Features:

- Patented clamped enclosure design reduces opportunity for missing, stripped or broken bolts
- Simple clamp actuation for user-friendly access to enter enclosure
- 65kAIC at 480V enclosure rating for high interrupting capacity applications
- -50°C to +60°C temperature range for extreme environments
- Thermal magnetic and electronic break trip option for short circuit and over current protection
- Side operated handle provides visual confirmation of proper operator alignment while cover is open and can be padlocked in either "ON" or "OFF" positions for OSHA compliance
- Neoprene cover gasket provides NEMA 4X protection for hose down applications
- Maximum wiring room compliance with National Electrical Code® requirements allows for easy and safe installation
- Rugged, corrosion-resistant, cast copper-free aluminum construction provides NEMA 4X protection
- Semi-clamshell enclosure design, with an external flanged ground joint between body and cover, provides increased access to interior components
- Minimum enclosure-to-enclosure spacing with little interference between the opened cover and adjacent enclosure
- Pre-drilled mounting plate for simple breaker installation
- Detachable tap-on mounting feet

Certifications and Compliances: NEC/CEC:

- Class I, Divisions 1 & 2, Groups BA, C, D
- Class I, Zones 1 & 2
- Class II, Groups E, F, G
- Class III

UL Standards::

- UL1203 – Explosionproof and Dust-ignitionproof Electrical Equipment for use in Hazardous (Classified) Locations
- UL2062 – High AIC Ratings for Groups C, D



VOLTAGE (AC)	RMS SYMMETRICAL AMPS
240, 480	65,000
600	35,000

CSA Standard:

- cUL to CSA C22.2 No. 30

Additional Certifications:

- UL/cUL certified for -50°C to +60°C
- SASO Certificate of Conformity

Environmental Ratings:

- NEMA 3R, 4X, 7BCD, 9EFG

Electrical Ratings:

- 3-pole, 600 VAC
- Breaker frames:
 - Eaton: EG, JG, LG (up to 500A)^B
 - Square D: HG (up to 100A)
 - GE: TED (up to 100A)

Standard Materials:

- Body and cover – copper-free aluminum
- Clamp – anodized copper-free aluminum
- External hardware – stainless steel
- Internal parts – galvanized steel

^A High AIC and -50°C temperature certifications do not apply for Group B.

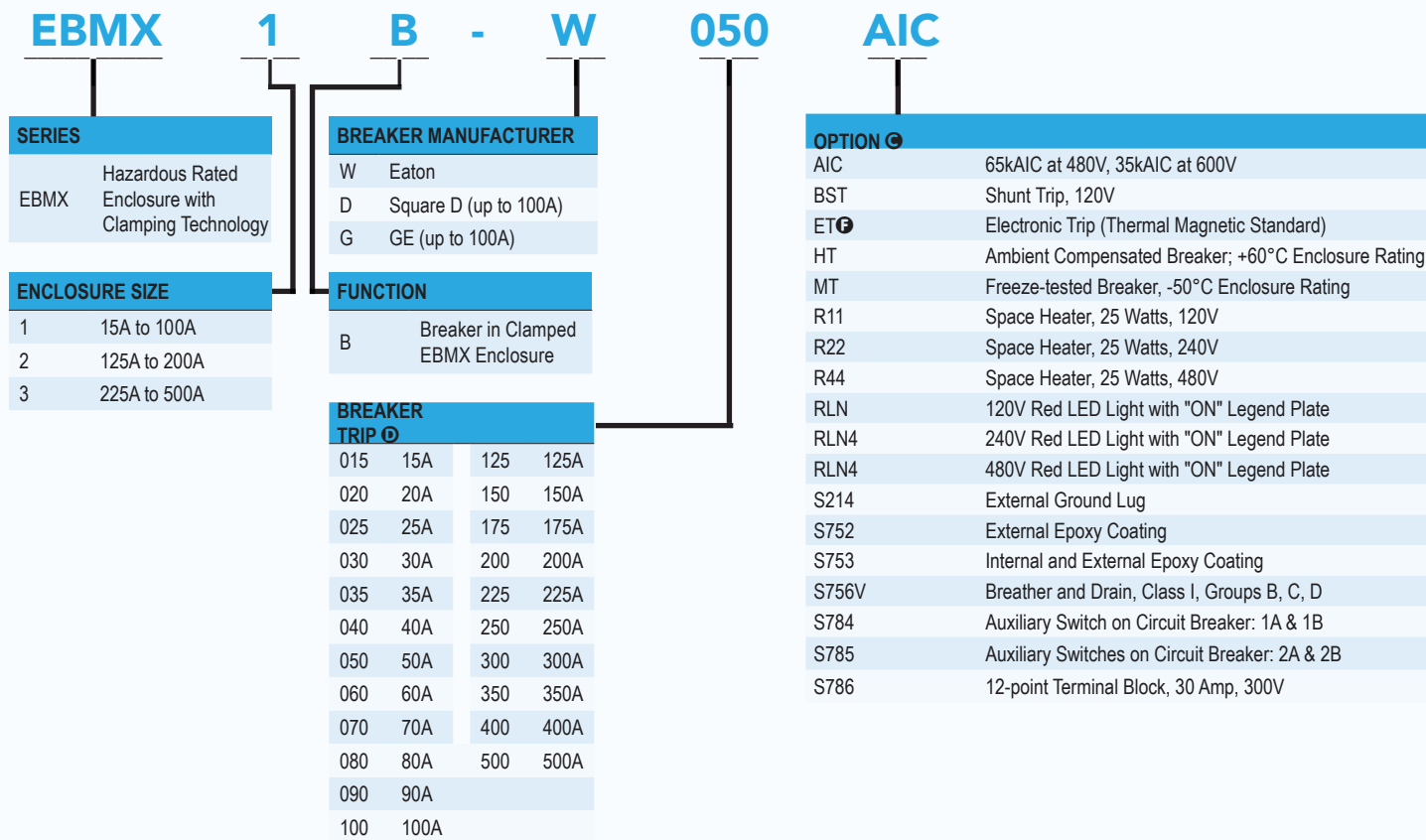
^B 15-100A rated 600Y/347 VAC maximum; 125-500A rated 600 VAC maximum.

EBMXB Series Explosionproof Circuit Breakers

Cl. I, Div. 1 & 2, Groups B, C, D
Cl. I, Zones 1 & 2
Cl. II, Groups E, F, G
Cl. III
NEMA 3R, 4X, 7BCD, 9EFG

Explosionproof
Dust-Ignitionproof

Catalog Number System EBMX1B-W050 AIC



REFERENCE TABLE: BREAKER ELECTRONIC TRIP DIAL SETTINGS

AMPERAGE (A)	RANGE (A)
50	20, 25, 30, 32, 40, 45, 50
100	40, 45, 50, 63, 70, 80, 90, 100
150	63, 80, 90, 100, 110, 125, 150, 160
250	100, 125, 150, 160, 170, 200, 225, 250
400	160, 200, 225, 250, 300, 350, 400
600	250, 300, 350, 400, 450, 500, 600

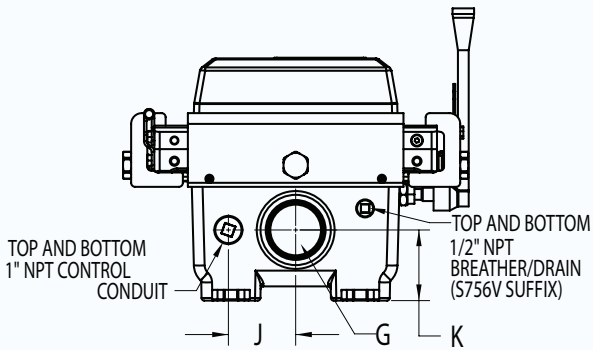
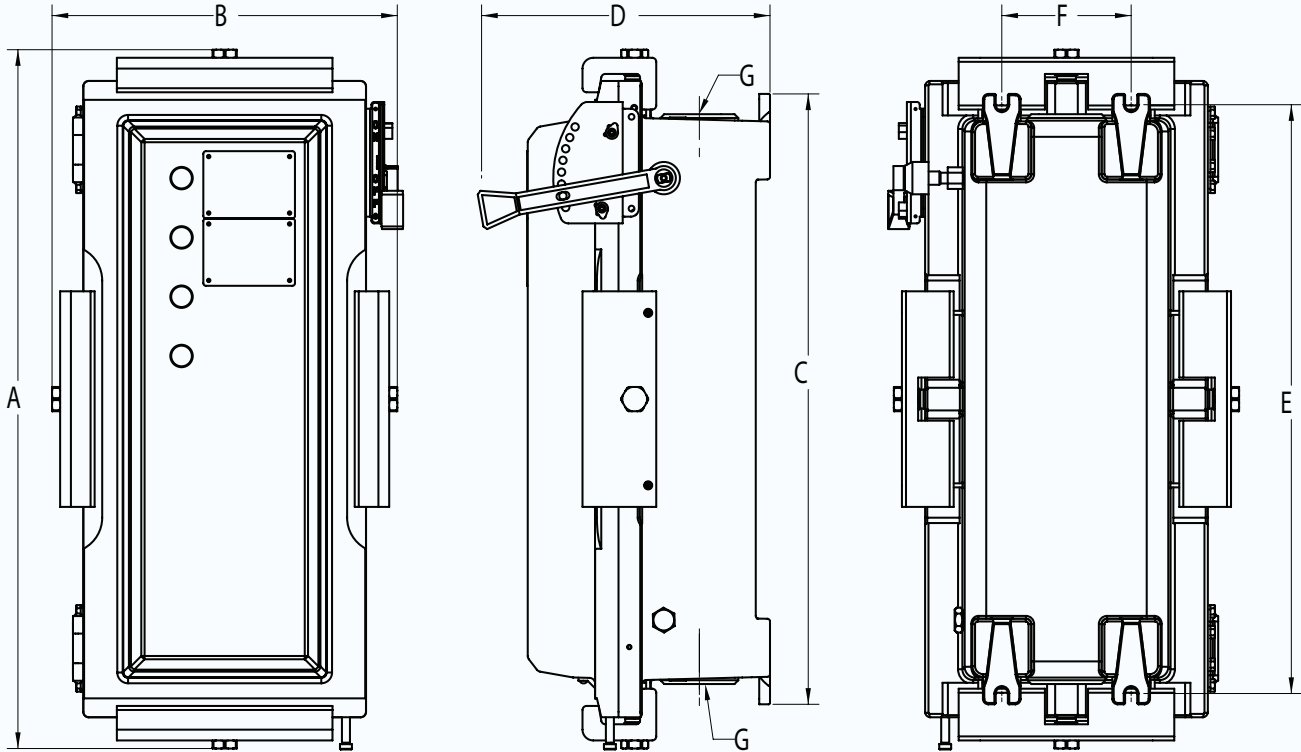
- High AIC and -50°C temperature certifications do not apply for Group B.
- 15-100A rated 600Y/347 VAC maximum; 125-500A rated 600 VAC maximum.
- List selected options in alphanumeric order.
- Electronic trip breakers are available in size 2 and 3 enclosures only; 600 VAC maximum.

EBMXB Series Explosionproof Circuit Breakers

Cl. I, Div. 1 & 2, Groups B^o, C, D
Cl. I, Zones 1 & 2
Cl. II, Groups E, F, G
Cl. III
NEMA 3R, 4X, 7BCD, 9EFG

Explosionproof
Dust-Ignitionproof

Dimensions (in Inches):



ENCLOSURE SIZE	A	B	C	D	E	F	G		J	K
							DRILLED & TAPPED	WITH REDUCER		
1	22.11	15.98	18.04	12.86	17.13	6.00	2 NPT	1.5 NPT	3.12	3.01
2	32.40	16.28	28.31	13.56	27.25	6.00	3 NPT	2.5 NPT	3.12	3.28
3	42.28	17.93	38.15	13.85	37.25	6.00	3 NPT	2.5 NPT	3.93	3.56

Ⓢ High AIC and -50°C temperature certifications do not apply for Group B.