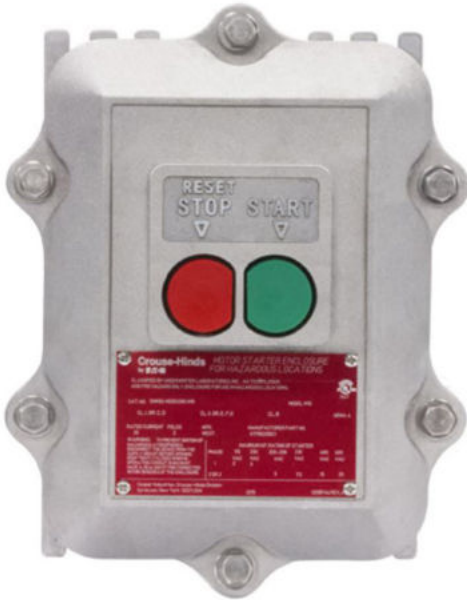




EMN

Manual Pushbutton Starters
IEC application



Environmental Ratings:

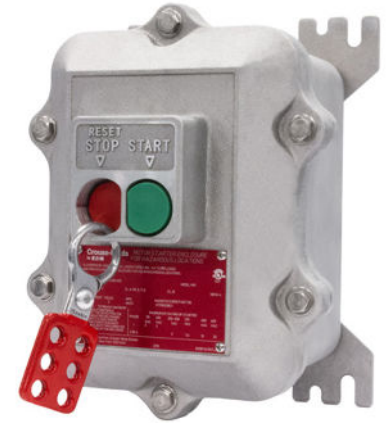
- NEMA 3, 4, 7 (C, D) and 9 (E, F, G)
- Protected from hose-directed water
- NEMA 4X rated (when ordered with epoxy)
- powder coat and gasket options)

Materials:

- Enclosure: copper-free aluminum
- Shaft, bearing and bolts: stainless steel
- O-ring gasket: Buna-N (optional)

Moisture Protection:

- Optional gasket protects from mud and hose-directed water
- Option for no top entries provides additional ingress protection



Explosionproof, compact, across-the-line manual IEC starter for single and polyphase VAC motors.

Applications:

- Used on drilling rigs for mud agitators and shakers where flammable or explosive gases are present
- Used for fans and blowers, pumps, compressors and conveyors

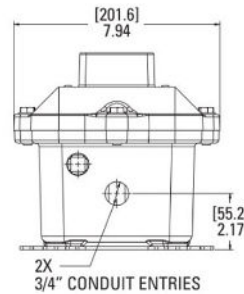
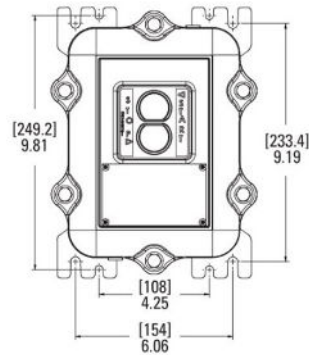
Electrical Ratings:

- IEC Cutler-Hammer Type XTPB manual starter
- 1 to 20 HP
- 2 pole, single phase AC up to 230 VAC
- 3 pole, three phase AC up to 600 VAC
- #18 - #10 wire size range

Certifications and Compliances:

- Class I, Divisions 1 & 2, Groups C, D
- Class I, Zone 1, Group IIB
- Class II, Division 1 & 2, Groups E, F, G
- Class III
- UL1203; cUL C22.2 No. 30

Dimensions:



Top / Bottom View

Safe:

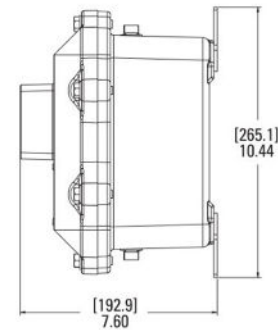
Lockout/tagout option allows for starter to be locked in "OFF" position

Versatile Installation:

- Detachable mounting hardware
- Mounting footprint with multiple options for field flexibility

Durable, Easy to Use:

- Redesigned buttons allow for ease of use with gloves
- Enclosure designed to protect buttons from damage



Bottom View
(No top entry option)





Catalog Number System

EMN 26 WP 16 S198V M15

EMN 26

Series
EMN Manual pushbutton starters for NEMA applications

Enclosure Type
26 Pre-drilled for Cutler-Hammer starter

WP 16

Starter Type
W Cutler-Hammer starter

S198V

Options

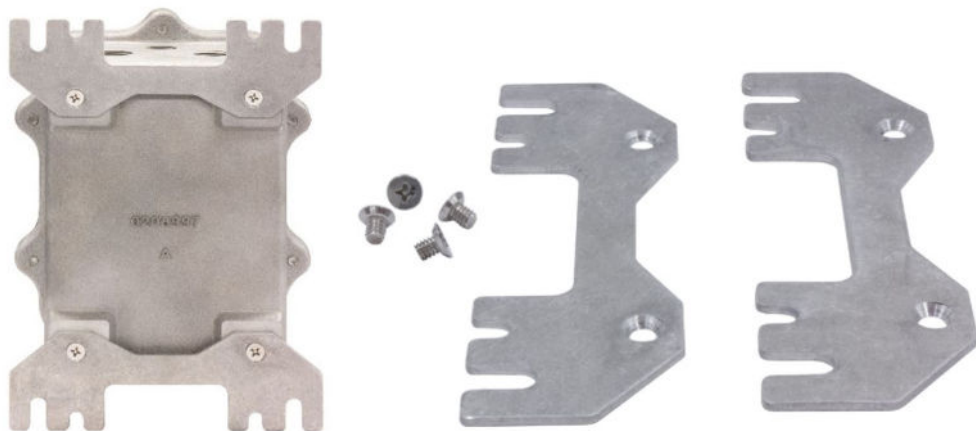
- S752 Gray epoxy powder coat, outside only
- S753 Gray epoxy powder coat, inside & outside
- S198V Breather and drain
- NTE No top entry
- GSK Gasket (for NEMA 4 rating)

M15

Maximum Horsepower

Suffix	Single Phase		Three Phase				Adjustment Range FLA	Rated Uninterrupted Current
	115V	230V	200-208V	230V	480v	600v		
P16	-	-	*	*	*	*	0.1-0.16	0.16
P25	-	-	*	*	*	*	0.16-0.25	0.25
P40	-	-	*	*	*	*	0.25-0.4	0.4
P63	-	-	*	*	*	*	0.4-0.63	0.63
1	-	-	*	*	0.5	0.5	0.63-1	1
1P6	-	0.1	*	*	0.75	0.75	1-1.6	1.6
2P5	-	0.16	0.5	0.5	1	1.5	1.6-2.5	2.5
4	0.12	0.33	0.75	0.75	2	3	2.5-4	4
6P3	0.25	0.5	1	1	3	5	4-6.3	6.3
10	0.5	1.5	2	3	5	7.5	6.3-10	10
12	0.5	2	3	3	7.5	10	8-12	12
16	1	2	3	5	10	10	10-16	16
20	1.5	3	5	5	10	15	16-20	20
25	2	3	5	7.5	15	20	20-25	25

* In this range, calculate motor rating according to rated current. Specified values to NEC Table 430.250.



Detachable Mounting Hardware